



NTSYSTEMS

ELECTRIC PROPULSION MADE EASY

**PROPULSION SYSTEMS
TECHNICAL DATASHEET**



About our propulsion systems



Key Features

- + Optimized operation
- + Pre-assembled
- + Compact and light
- + Plug&Play
- + Modular/Scalable
- + High power-to-weight ratio
- + Gearbox version

NT Systems is a compact turnkey electric propulsion system for commercial and leisure applications with a continuous power range from 40 kW up to 450 kW. Propulsion systems are designed for easy service, require low maintenance, and can be installed on various drive units. Optimized operation is achieved through the combination of right-sized components and features, including a cooling system, an advanced ECU, pre-assembly, and proper component configuration. The design supports multiple-motor

installations, which expands the range of applications. System also features a built-in thrust bearing, allowing for direct shaft mounting out of the box. Additionally, the system is compatible with various marine gearboxes.



Overview of the technical specifications

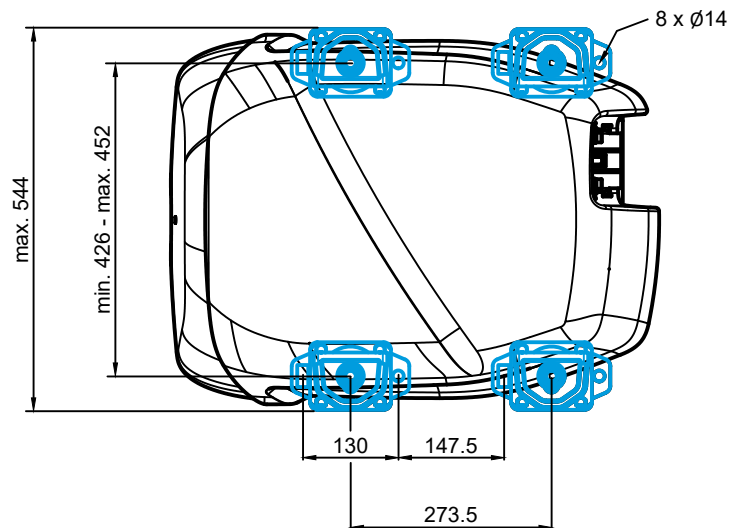
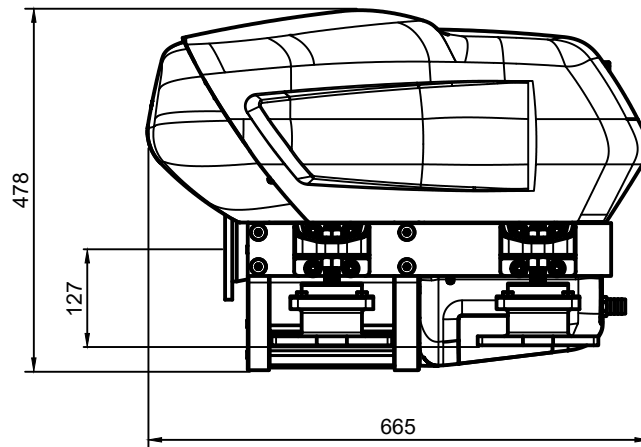
| Model | C40 | C80 | C120 | C160 | C200 | C320 | C450 |
|-----------------------------------|---------------------|-----|--------------------|--------------------|--------------------|-----------------|-------------|
| Power [kW] (continuous) | 40 | 80 | 120 | 160 | 200 | 320 | 450 |
| Torque [Nm] (continuous) | 128 | 257 | 398 | 530 | 660 | 1060 | 1580 |
| Torque [Nm] (peak) | 225 | 450 | 675 | 900 | 1130 | 1800 | 2680 |
| Motor nominal speed [RPM] | 3200 | | | | | | |
| Battery [Vdc] | 400 | | | 700 | | | |
| Total Length [mm] (assembled*) | 550 | 550 | 665 | 665 | 665 | 915 | 1030 |
| Total Weight [kg] (assembled*) | 79 | 85 | 96 | 104 | 124 | 195 | 240 |
| Seawater connection | Hose tail 20 mm | | | | | Hose tail 30 mm | |
| HV cable size [mm ²] | 35 | 50 | 120 | 95 | 120 | 2 x 95 | 2 x 120 |
| HV connector | TE AMP+ HVP800 | | Amphenol HVSL 1400 | Amphenol HVSL 1200 | Amphenol HVSL 1400 | 2x HVSL1200 | 2x HVSL1400 |
| CAN connector | 5 pin, M12 | | | | | | |
| GND connection | M6 stud | | | | | | |
| 12 V AUX connector | Amphenol ATP series | | | | | | |

*Propulsion system is pre-assembled and includes: electric motor, motor controller, ECU, complete cooling system, electrical and water plugs, and engine mounts.

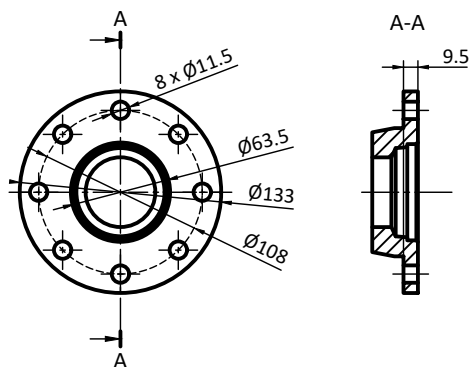




C160 Technical drawings

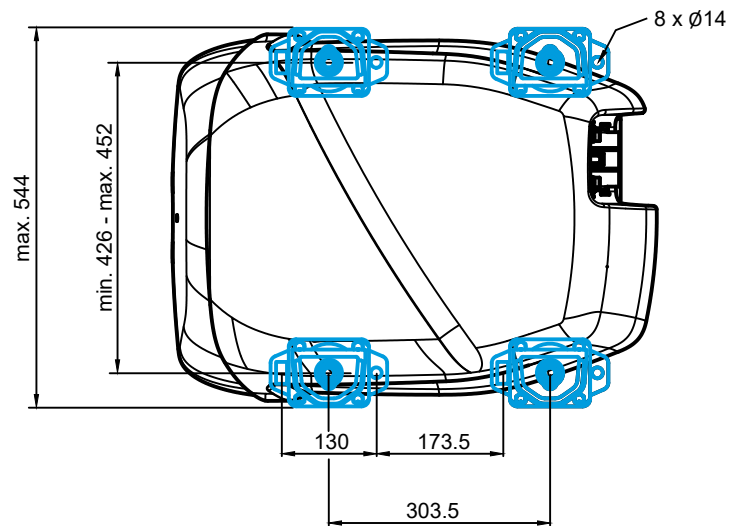
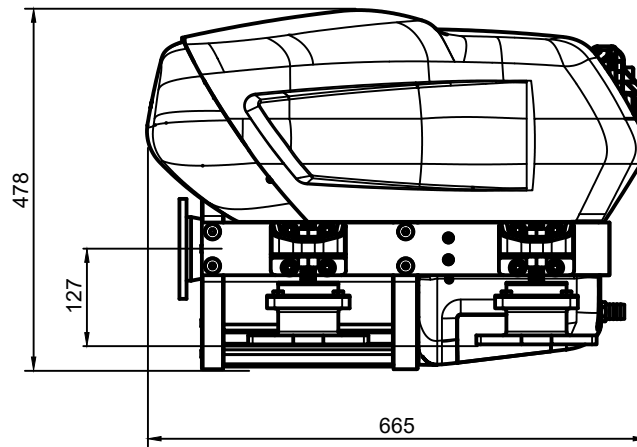


Output flange:

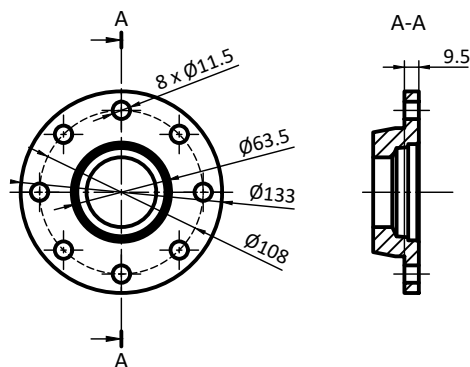




C200 Technical drawings



Output flange:



Disclaimer: The specifications provided are subject to change without notice. Always refer to the latest version available on our website.

