



**NTSYSTEMS**

ELECTRIC PROPULSION MADE EASY

**DISPLAYS**  
**TECHNICAL DATASHEET**



## About displays

The Display is an all-in-one device that incorporates propulsion interface, navigation, connectivity, and entertainment. It is available in seven sizes: 5", 7", 10", 12", 16", 22", and 24". The intuitive and easy-to-use user interface displays all

### Key Features

- + Complete propulsion interface
- + Chartplotter
- + Remote control & support
- + Connectivity
- + Entertainment
- + Seven sizes: 5" - 24"

important data on the home screen. Detailed information on all system components is available in submenus. It is compatible with the world leading Navionics+ and Navionics Platinum+ charts. With a built-in amplifier and Bluetooth connectivity, you can stream music. The Display stays constantly online thanks to its built-in 4G modem, even when the display

itself is powered off and ensures that everyone on board has access to stable and fast internet. This also means you can check on your boat anytime, anywhere through the Mobile App.



## Technical specifications

Size	5"	7"
Resolution	800 x 400	1024 x 600
Touch screen	Projected capacitive touch panel	
Surface treatment	Anti-reflective and anti-fingerprint coating	
Brightness [nits]	850	
Contrast ratio	800:1	
Viewing angle	85°	
Size [mm]	136 x 93	180 x 120
Depth w/o   w bracket [mm]	36   59	
Surface mount	Yes	
Panel thickness [mm] (surface mount)	4 - 20	
Bracket (Trunnion) mount	No	
Cutout [mm] (surface mount)	125 x 80	173 x 110
Weight [kg]	0.46	0.62
Connector (communication & power supply)	5 pin, M12	
Communication protocol	CANbus	
Supply voltage	12/24 Vdc	
Power rating	typically 4.2 W	typically 6.5 W
Operating   Storage temperature range	-20 °C - 70 °C   -30 °C - 80 °C	





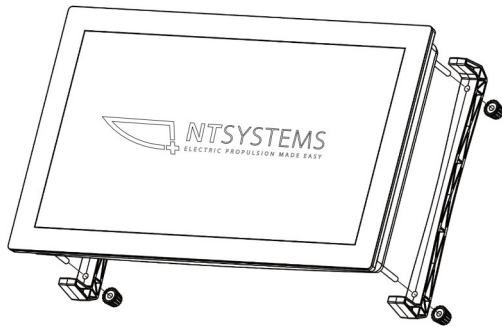
## Technical specifications - Multi-Function Displays

Size	10"	10" (dual)	12"	16"	22"	24"
Resolution	1280 x 800		1920 x 1080			
Touch screen	Projected capacitive touch panel					
Surface treatment	Anti-reflective and anti-fingerprint coating					
Brightness [nits]	850			1000		
Contrast ratio	800:1					
Viewing angle	85°					
Size [mm]	260 x 177	510 x 180	303 x 209	391 x 240	518 x 318	570 x 348
Depth w/o   w bracket [mm]	61   76	61   78	63   81	64   76	64   81	68   88
Surface mount	Yes					
Panel thickness [mm] (surface mount)	4 - 15	4 - 7	4 - 16	4 - 13	4 - 11	4 - 11
Bracket (Trunnion) mount	Yes	No				
Cutout [mm] (surface mount)	248 x 165	498 x 168	292 x 198	379 x 228	506 x 306	558 x 336
Weight [kg]	2.1	3.1	2.4	3.4	6.5	9.5
Connector	Multiple (Refer to manual)					
Supply voltage	12 Vdc					
Operating   Storage temperature range	-25 °C to +55 °C   -30 °C to +70 °C					
<b>Multi-Function Features (for sizes 10" - 24")</b>						
Navigation	Navionics+ & Navionics Platinum+ charts with 3D mode, detailed sonar charts, and depth shading.					
	Port-to-port routing					
	10 Hz GPS					
Connectivity	4G/LTE					
	Wi-Fi (client and hotspot network sharing)					
	Bluetooth with remote control feature					
	NMEA 2000 (AIS, Digital switch, engine data, etc.)					
	Data BUS					
	Over The Air updates					
	Extensions (Fishfinder, Quantum radar, etc.)					
Entertainment	2 x 20W Audio amplifier					
	Dual, stereo channel, RCA audio-output (unamplified)					
	FM/DAB radio receiver					

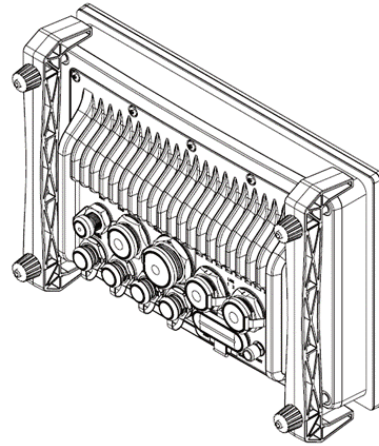




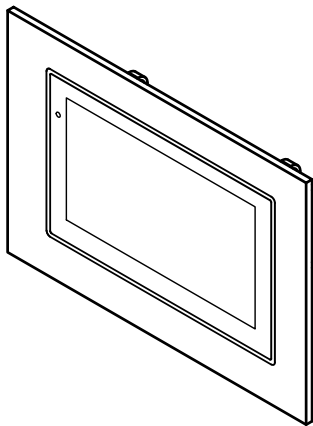
## Technical drawings and overview of components



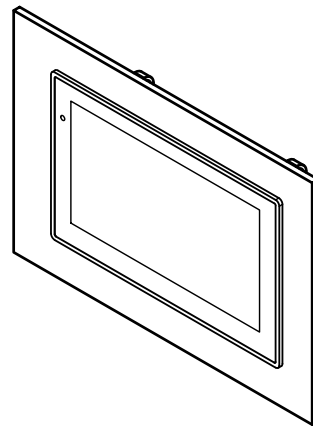
*Overview of the Display and mounting kit components*



*Display - back view and mounting kit components*



*Mounting options - Flush mount*

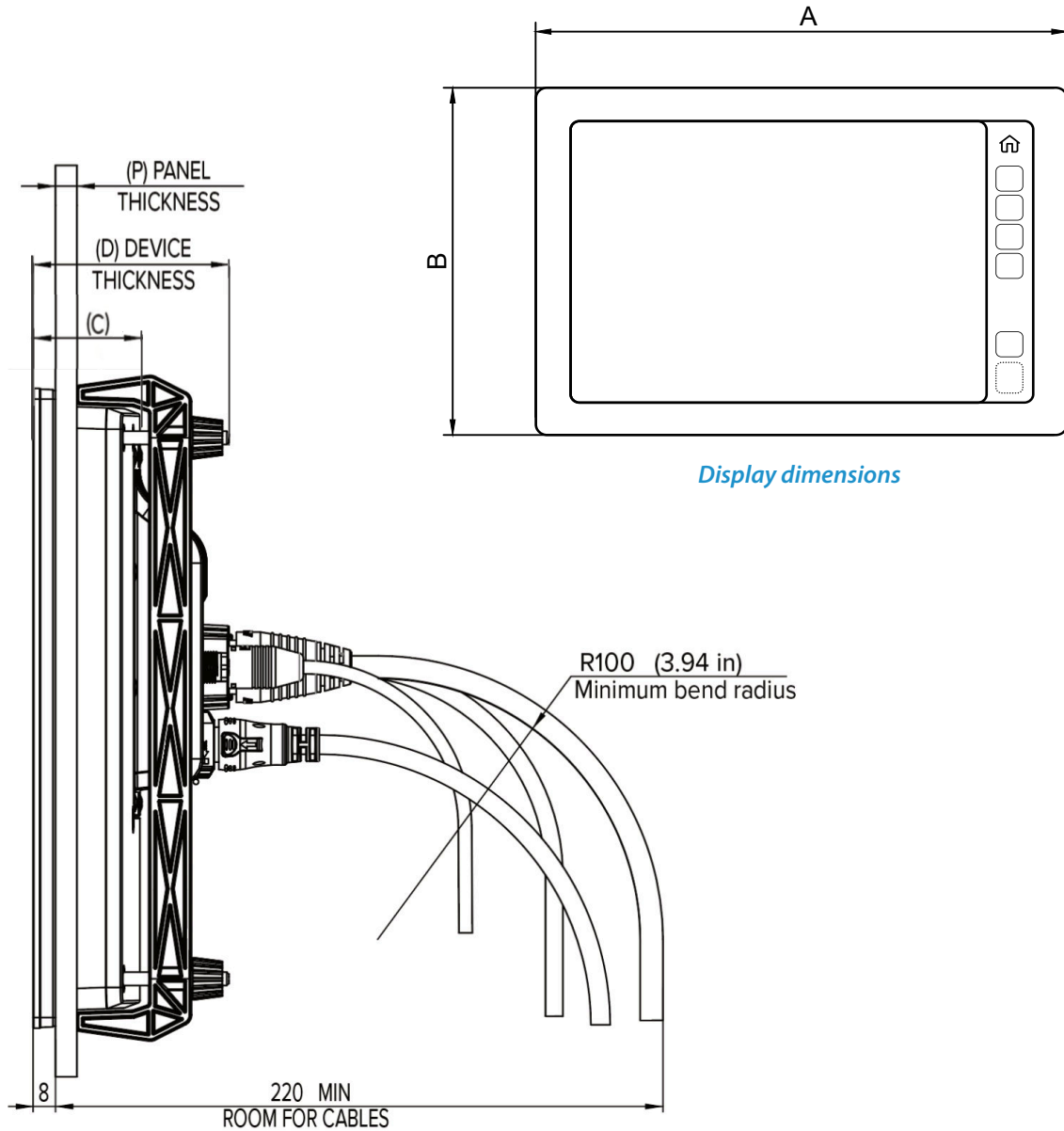


*Mounting options - Surface mount*





Technical drawings and overview of components



Display dimensions

Display and Mounting kit dimensions

Model	5"	7"	10"	10" (dual)	12"	16"	22"	24"
Size (A x B) [mm]	136 x 93	180 x 120	260 x 177	510 x 180	303 x 209	391 x 240	518 x 318	570 x 348
Device thickness (C   D) [mm]	36   59		61   76	61   78	63   81	64   76	64   81	68   88
Panel thickness (P) [mm]	4 - 20		4 - 15	4 - 7	4 - 16	4 - 13	4 - 11	4 - 11
Cutout [mm] (surface mount)	125 x 80	173 x 110	248 x 165	498 x 168	292 x 198	379 x 228	506 x 306	558 x 336

Disclaimer: The specifications provided are subject to change without notice. Always refer to the latest version available on our website.

